

# Area Series (Small)

The OLA1 Small Series is a stylish aerodynamic area luminaire that fits within today's accepted design form factors. Excellent optical performance is achieved with Lumileds brand LED's and engineered discrete optics. LED life is assured through efficient thermal coupling and dissipation via a durable, pressure die cast, low-copper alloy, aluminum housing. Engineered to last, all gaskets are anti-UV, anti-aging with no harmful out-gassing. All models come standard with a universal pole mount bracket or an optional wall surface box. Luminaires are available with a number of options including alternate CCT choices, finishes, photocells and occupancy sensors.



## FEATURES

- LED Brand: Lumileds
- Color Temperatures: 4000K & 5000K (Other CCTs are available upon request.)
- CRI: 70
- Lumen Maintenance: L70 = 50,000 hours
- Full Cutoff (meets IDA criteria)
- Operating Temperature: -40 °C (-40 °F) to 40 °C (104 °F)
- Durable All Aluminum Pressure Die Cast Housing
- Long Life Durable Powder Coat Finish Custom colors are available upon request
- IP65 Rated (wet listed)
- Mounting: Universal Round or Square Pole, Wall Surface Box

## ELECTRICAL SPECIFICATIONS

- Power Input: 120-277V (347-480V Optional)
- Power Factor: > 0.95
- THD: < 15%
- Surge Protection: 10 kV
- Control Options: 0-10V Dimming standard (Photocell and Occupancy Sensors Optional)

## TESTS & CERTIFICATIONS

- ETL (UL 1598)
- CSA (C22.2 No.250.0)
- RoHS Compliant
- Design Lights Consortium (Premium)



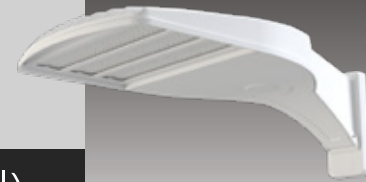
## WARRANTY

- 10-Year Warranty (parts or replacement)

## PERFORMANCE SPECIFICATIONS

Distribution	Model / Wattage	Lumens		Bug Rating		
		4000K	5000K	B	U	G
Type 2	OLA1-080	10,801	10,960	3	0	1
	OLA1-120	15,840	16,200	3	0	2
	OLA1-150	19,800	20,250	3	0	2
Type 3	OLA1-080	11,600	11,760	2	0	2
	OLA1-120	16,561	16,920	3	0	2
	OLA1-150	20,549	21,000	3	0	2
Type 3L	OLA1-080	10,799	10,960	3	0	3
	OLA1-120	15,960	16,199	3	0	3
	OLA1-150	19,800	20,249	4	0	3
Type 3R	OLA1-080	10,799	10,960	3	0	3
	OLA1-120	15,960	16,198	3	0	3
	OLA1-150	19,800	20,250	4	0	3
Type 4	OLA1-080	11,596	10,794	2	0	2
	OLA1-120	15,472	15,712	2	0	2
	OLA1-150	19,046	19,349	3	0	2
Type 4L	OLA1-080	10,800	10,960	3	0	3
	OLA1-120	16,080	16,320	3	0	3
	OLA1-150	19,800	20,250	4	0	4
Type 4R	OLA1-080	10,800	10,960	3	0	3
	OLA1-120	16,080	16,320	3	0	3
	OLA1-150	19,781	20,250	4	0	4
Type 5	OLA1-080	10,032	10,185	4	0	3
	OLA1-120	15,049	15,278	4	0	3
	OLA1-150	18,811	19,097	5	0	4

Voltage (V)	Current (A)		
	80W	120W	150W
120	0.67	1.00	1.25
208	0.38	0.58	0.72
240	0.33	0.50	0.63
277	0.29	0.43	0.54
347	0.23	0.35	0.43
480	0.17	0.25	0.31



# Area Series (Small)

## ORDERING INFORMATION

**EXAMPLE:** OLA1-120-UNVL-50-4-SQ-BZ-PR-TL12

SERIES	WATTAGE	VOLTAGE	COLOR TEMP	DISTRIBUTION	MOUNTING	FINISH	CONTROL / OPTIONS
OLA1 = Optec LED Area Light	080 = 80W 120 = 120W 150 = 150W	UNVL = 120-277V UNVH = 347-480V	30 = 3000K <sup>4</sup> 40 = 4000K 50 = 5000K	2 = Type 2 3 = Type 3 3L = Type 3 Left 3R = Type 3 Right 4 = Type 4 4L = Type 4 Left 4R = Type 4 Right 5 = Type 5	SQ = Square Pole <sup>2</sup> RD = Round Pole <sup>2</sup> WM = Wall Mount <sup>1,2</sup> TA = Tenon Adapter <sup>2</sup>	WH = White BZ = Dark Bronze BL = Black NA = Natural Aluminum CC = Custom Color	OS = Occupancy Sensor <sup>3</sup> PR = Photocell Receptacle PR3 = Photocell Receptacle 3-pin PR5 = Photocell Receptacle 5-pin WCS = Wireless Control (Synapse) <sup>4</sup> HS = House Side Shield <sup>5</sup> PR7 = Photocell Receptacle 7-pin SF = Single Fuse (120V, 277V, 347V) DF = Double Fuse (220V, 240V, 480V) TLSC = Twist Lock Shorting Cap

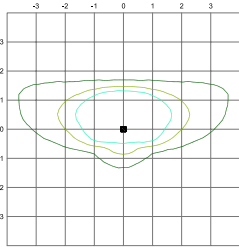
1 - WM option requires SQ pole mount bracket.  
 2 - For details, reference accessory data sheet.  
 3 - OS = Wattstopper FSP211, for details please reference Wattstopper data sheets.  
 4 - WCS = Wireless Control (Synapse), contact factory for details.  
 5 - HS = Shipped separately.

## PHOTOMETRIC PERFORMANCE

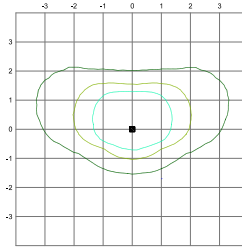
Isofootcandle plots = OLA1 120W model in 5000K CCT @ 30' mounting height. Distances are in units of mounting height.

### LEGEND

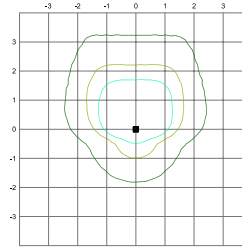
- 0.1 fc
- 0.5 fc
- 1.0 fc
- 5.0 fc



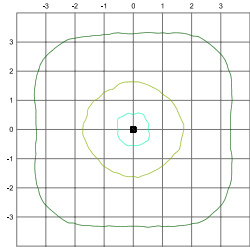
120W (Type 2) Plot



120W (Type 3) Plot



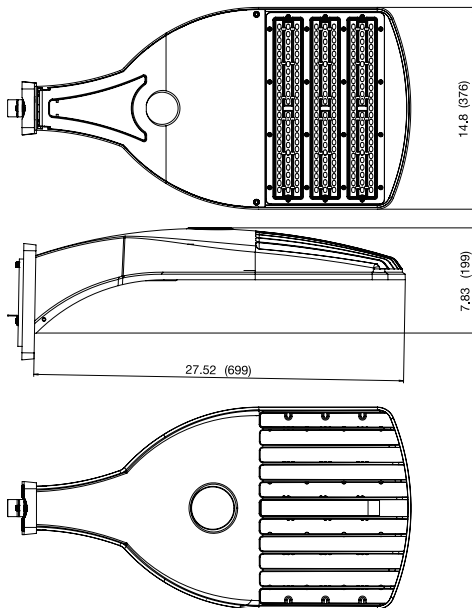
120W (Type 4) Plot



120W (Type 5) Plot

Published luminaire photometric testing performed to IESNA-79-08 standards

## DIMENSIONS, WEIGHTS & EPA



Wattage	80W	120W	150W
Length (inches / mm)	27.52 / 699	27.52 / 699	27.52 / 699
Width (inches / mm)	14.8 / 376	14.8 / 376	14.8 / 376
Height (inches / mm)	7.83 / 199	7.83 / 199	7.83 / 199
Weight (lbs / kg)	19.4 / 8.8	19.4 / 8.9	20 / 9.1

Wattage	Effective Projected Area (EPA) in ft <sup>2</sup>				
80	0.96	1.92	1.81	2.77	3.63
120	0.96	1.92	1.81	2.77	3.63
150	0.96	1.92	1.81	2.77	3.63