

Canopy - Soffit Series

The OLCS series combines the rugged look of yesterday's HID fixtures with smoother style features like radiused corners and a contoured low profile lens, which minimizes up light. Optical performance is achieved with LG or Seoul brand surface mount LED's and an efficient refractive lens. These luminaires can be surface or pendent mounted and are ideal for canopy and soffit applications. LED life is assured through efficient thermal coupling and dissipation via a durable, pressure die cast, low-copper alloy, aluminum housing. Engineered to last, all gaskets are anti-UV, anti-aging with no harmful out-gassing. Luminaires are available in 4000K or 5000K, a number of color finishes, and optional occupancy sensors and surge protectors.



FEATURES

- LG ® or Seoul ® Brand LED's
- Color Temperatures: 4000K & 5000K (Other CCT's are available upon request)
- CRI: 80
- Lumen Maintenance: L70 = 50,000 hours (at 25° C)
- Full Cutoff (meets IDA criteria)
- Operating Temperature: -40° C (-40° F) to 40° C (104° F)
- Durable All Aluminum Pressure Die Cast Housing
- Long Life Durable Powder Coat Finish (Custom colors are available upon request)
- IP65 Rated (wet listed)
- Mounting: Surface or Pendent (hook & plug also available upon request)

ELECTRICAL SPECIFICATIONS

- Power Input: 120-277V (347V & 480V optional for 40W, 60W, & 75W)
- Power Factor: > 90%
- THD: < 20%
- Surge Protection: 10 kV (Optional)
- Control Options: 0-10V Dimming; Occupancy Sensor; (2 or 3 step dimming & on/off); Photocell (button type)



TESTS & CERTIFICATIONS

- ETL (UL 1598)
- CSA (C22.2 No.250.0)
- RoHS Compliant
- Design Lights Consortium (Premium)

WARRANTY

- 5-Year Warranty (parts or replacement)

PERFORMANCE SPECIFICATIONS

Distribution	Model / Wattage	Lumens	
		4000K	5000K
Type 1A	OLCS - 040	5,135	4,800
	OLCS - 050	5,600	5,750
	OLCS - 060	6,720	6,960
	OLCS - 075	8,096	8,625

Voltage	Current (A)			
	40	50W	60W	75W
120	0.33	0.42	0.50	0.63
208	0.19	0.24	0.29	0.36
240	0.17	0.21	0.25	0.31
277	0.14	0.18	0.22	0.27
347	0.12	NA	0.17	0.22
480	0.08	NA	0.13	0.16



Canopy - Soffit Series

ORDERING INFORMATION

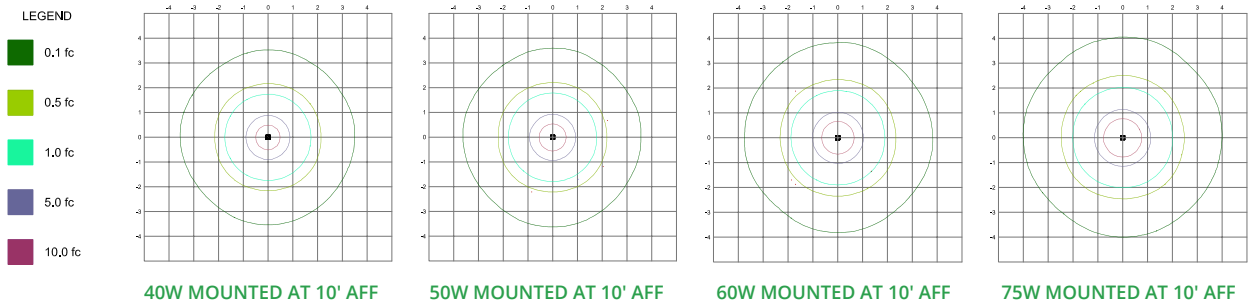
EXAMPLE: OLCS-060-UL-50K-1A-PM-WH-DM-MS-ST18

SERIES	WATTAGE	COLOR TEMP	VOLTAGE	DISTRIBUTION	MOUNT	FINISH	CONTROL / OPTIONS
OLCS = Optec LED Canopy-Soffit	040 = 40W 050 = 50W 060 = 60W 075 = 75W	40K = 4000K 50K = 5000K	UL = 120-277V 347 = 347V ¹ 480 = 480V ¹	1A = Symmetrical	SM = Surface Mount PM = Pendant Mount ²	WH = White BZ = Dark Bronze BL = Black SL = Silver CC = Custom Color	DM = 0-10V Dimming MS = Motion Sensor ³ PC = Photocell On/Off Only ⁴ SP = 10 kV Surge Protector ST = Stem ⁵ (xx = Specify Length in Inches)

¹ Available for 40W, 60W & 75W
² Accepts Schedule 40 3/4" NPT Stem (See Options for Stem Ordering)
³ 2 or 3 Step Dimming & On/Off
⁴ Photocell Default = Fail in "ON" Mode (Unless Otherwise Specified)
⁵ Schedule 40, 3/4" NPT Stem 1" Thread Length Both Ends Finish = Plated/Galvanized

PHOTOMETRIC PERFORMANCE

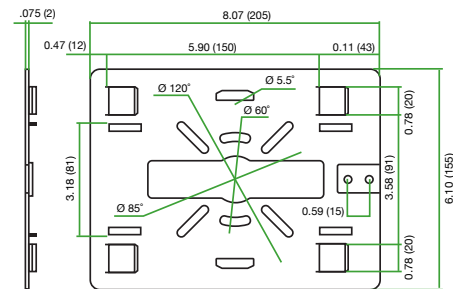
Isofootcandle plots = OLCS Models in 4000K CCT @ 10' mounting height. Distances are in units of mounting height.



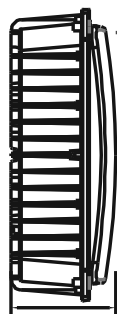
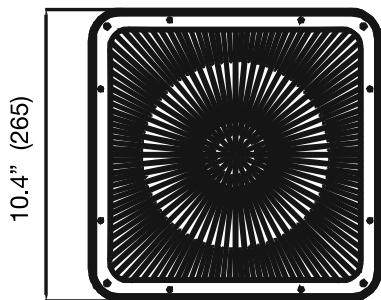
DIMENSIONS, WEIGHTS & MOUNTING

Wattage	40W	50W	60W	75W
Length (in" / mm)	10.4" / 265	10.4" / 265	10.4" / 265	10.4" / 265
Width (in" / mm)	10.4" / 265	10.4" / 265	10.4" / 265	10.4" / 265
Height (in" / mm)	3.74" / 95	3.74" / 95	3.74" / 95	3.74" / 95
Weight (lbs / kg)	5.62 / 2.55	5.73 / 2.60	5.84 / 2.65	6.17 / 2.8

Mounting Details



Bracket Dimensions



3.74" (95)



Mounting Plate



Installed