

Floodlight Series (Large)

The OLFLL Series Floodlight is a stylish aerodynamic luminaire designed to complement the Optec LED Lighting family of architectural outdoor products. Excellent optical performance in multiple distributions is achieved via a COB LED array and a precision-engineered reflector. LED life is assured through efficient thermal coupling and dissipation via its durable, pressure die-cast, low-copper alloy, aluminum housing. Engineered to last, all gaskets are anti-UV, anti-aging with no harmful out-gassing. The OLFLL floodlight comes standard with a 2" Adjustable Knuckle, 0-10V dimming and 10kV surge suppression. Alternate mounting selections include trunnion bracket and pipe adapter. Each luminaire is also available with a number of options including multiple color temperatures and finishes, photocell, occupancy sensor, wireguard, and polycarbonate lens. All standard finishes are electrostatically applied and are available with an optional anodized base finish for use in natatorium or marine environments. The OLFLL floodlight is backed by Optec LED Lighting's 10-year warranty.



FEATURES

- Color Temperatures: 4000K and 5000K
- CRI: 70
- Lumen Maintenance: L70=50,000 at 25 °C
- Operating Temperature Range: -40 °C to 40 °C
- Durable All Aluminum Pressure Die Cast Housing
- Long Life Durable Powder Coat Finish (Custom colors are available upon request.)
- IP65 Rated (wet listed)
- Mounting: 2" Adjustable Knuckle mount standard. Optional trunnion mount or adjustable straight arm mount available.

ELECTRICAL SPECIFICATIONS

- Two Universal Voltage Driver Options: 120-277V and 347-480V
- Power Factor > 0.90
- THD < 0.85
- Control Options: 0-10V Dimming Standard (Photocell Optional)

TESTS & CERTIFICATIONS

- ETL (to UL1598 standards)
- RoHS Compliant
- Design Lights Consortium (Premium)



CITIZEN®



WARRANTY

- 10-Year Warranty (Parts or Replacement)

PERFORMANCE SPECIFICATIONS

Distribution	Model / Wattage	Lumens		Candlepower (CBCP)	
		4000K	5000K	4000K	5000K
3 x 3	OLFLL-080	8,790	8,969	28,398	28,225
	OLFLL-100	10,988	11,212	35,498	35,281
	OLFLL-120	13,185	13,454	42,597	42,337
	OLFLL-150	16,481	16,817	53,246	52,921
5 x 5	OLFLL-080	9,987	10,191	14,201	14,115
	OLFLL-100	12,419	12,672	17,678	17,571
	OLFLL-120	13,593	13,870	19,343	19,226
	OLFLL-150	15,581	15,899	22,271	22,136
7 x 6*	OLFLL-080	10,443	10,433	6,098	6,104
	OLFLL-100	12,625	12,973	7,393	7,520
	OLFLL-120	13,794	14,192	8,071	8,235
	OLFLL-150	19,599	18,925	10,983	10,600

*Default Distribution

Voltage (V)	Current (A)			
	80W	100W	120W	150W
120	0.67	0.83	1.00	1.25
208	0.38	0.48	0.58	0.72
240	0.33	0.42	0.50	0.63
277	0.29	0.36	0.43	0.54
347	0.23	0.29	0.35	0.43
480	0.17	0.21	0.25	0.31



Floodlight Series (Large)

ORDERING INFORMATION

EXAMPLE: OLFL-100-50K-UNVL-TR-BZ-D33-PR3-TL12-WG

SERIES	WATTAGE	COLOR TEMP	VOLTAGE	MOUNT	FINISH	CONTROL / OPTIONS
--------	---------	------------	---------	-------	--------	-------------------

OLFL = Optec LED Floodlight Large

080 = 80W
100 = 100W
120 = 120W
150 = 150W

30K = 3000K
35K = 3500K
40K = 4000K
50K = 5000K

UNVL = 120-277V
UNVH = 347-480V

AK = Adjustable Knuckle¹
TR = Trunnion
PA = Adjustable Pole Arm

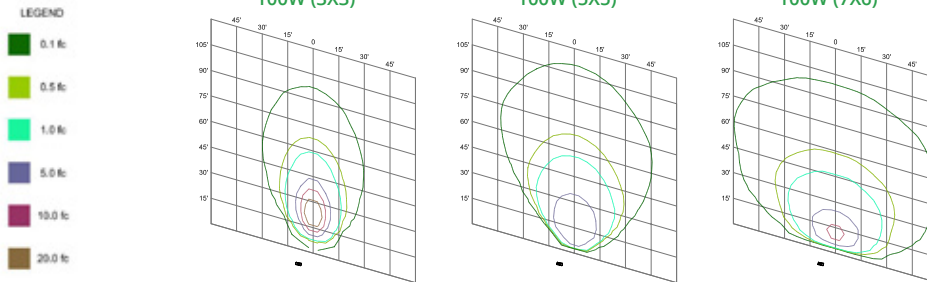
BZ = Dark Bronze
WH = White
NA = Natural Aluminum
BL = Black
CC = Custom Color

1A/GT = Gen 1 No controls (Default)
D33 = 3X3 Spot
D55 = 5X5 Flood
PR3 = Photocell Receptacle for 3-pin Photocell
PR5 = Photocell Receptacle for 5-pin Photocell
UV = Upper Visor³
LV = Lower Visor³
PL = Polycarbonate lens
WG = Wireguard
TL12 = Twist Lock Photocell 120V²
TL28 = Twist Lock Photocell 208V²
TL24 = Twist Lock Photocell 240V²
TL27 = Twist Lock Photocell 277V²
TL34 = Twist Lock Photocell 347V²
TL48 = Twist Lock Photocell 480V²
TLSC = Twist Lock Shorting Cap

¹ AK = 2" Adjustable Knuckle/Slipfitter
² Photocell Default = Fail in "ON" Mode (unless otherwise specified).
³ Upper Visor and Lower Visor can be specified together.

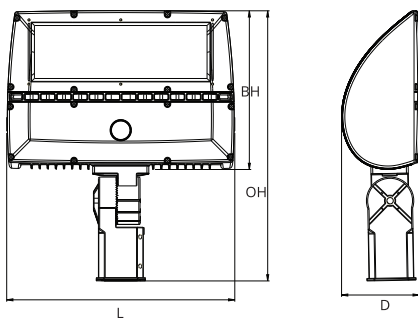
PHOTOMETRIC PERFORMANCE

Isofootcandle plots = OLFL 100W model in 5000K CCT @ 15' setback. Distances are in units of mounting height.



Published luminaire photometric testing performed to IESNA-79-08 standards

DIMENSIONS, WEIGHTS & MOUNTING



Wattage	80W	100W	120W	150W
L = Length (inches / mm)	14.11 / 366	14.11 / 366	14.11 / 366	14.11 / 366
D = Depth (inches / mm)	4.91 / 124.7	4.91 / 124.7	4.91 / 124.7	4.91 / 124.7
BH = Body Height (inches / mm)	10.02 / 254.6	10.02 / 254.6	10.02 / 254.6	10.02 / 254.6
OH = Overall Height (inches / mm)	17.06 / 433.4	17.06 / 433.4	17.06 / 433.4	17.06 / 433.4
Weight (lbs / kg)	16.76 / 7.6	17.42 / 7.9	18.74 / 8.5	19.40 / 8.8

Configuration	Effective Projected Area (EPA) in ft ²
Wattage	
80	1.710
100	1.710
120	1.710
150	1.710

