

Floodlight Series (Medium)

The OLFLM Series Floodlight is a stylish aerodynamic luminaire designed to complement the Optec LED Lighting family of architectural outdoor products. Excellent optical performance in multiple distributions is achieved via a COB LED array and a precision-engineered reflector. LED life is assured through efficient thermal coupling and dissipation via its durable, pressure die-cast, low-copper alloy, aluminum housing. Engineered to last, all gaskets are anti-UV, anti-aging with no harmful out-gassing. The OLFLM floodlight comes standard with a 1/2" NPT adjustable knuckle mount, 0-10V dimming and 10kV surge suppression. Alternate mounting selections include trunnion bracket and pipe adapter. Each luminaire is also available with a number of options including multiple color temperatures and finishes, photocell, occupancy sensor, wireguard, and polycarbonate lens. All standard finishes are electrostatically applied and are available with an optional anodized base finish for use in natatorium or marine environments. The OLFLM floodlight is backed by Optec LED Lighting's 10-year warranty.



FEATURES

- Color Temperatures: 4000K and 5000K
- CRI: 70
- Lumen Maintenance: L70=50,000 at 25 °C
- Operating Temperature Range: -40 °C to 40 °C
- Durable All Aluminum Pressure Die Cast Housing
- Long Life Durable Powder Coat Finish (Custom colors are available upon request.)
- IP65 Rated (wet listed)
- Mounting: 1/2" NPT adjustable knuckle standard. Optional trunnion or tenon adapter available.

ELECTRICAL SPECIFICATIONS

- Two Universal Voltage Driver Options: 120-277V and 347-480V
- Power Factor > 0.90
- THD < 0.85
- Control Options: 0-10V Dimming Standard (Photocell Optional)

TESTS & CERTIFICATIONS

- ETL (to UL1598 standards)
- RoHS Compliant
- Design Lights Consortium (Premium)



CITIZEN®



WARRANTY

- 10-Year Warranty (Parts or Replacement)

PERFORMANCE SPECIFICATIONS

Distribution	Model / Wattage	Lumens		Candlepower (CBCP)	
		4000K	5000K	4000K	5000K
3 x 3	OLFLM-050	6,663	6,678	28,398	28,228
	OLFLM-070	7,692	7,849	39,757	39,519
5 x 5	OLFLM-050	5,628	5,743	8,271	8,440
	OLFLM-070	7,350	7,500	11,002	11,227
7 x 6	OLFLM-050	6,621	6,638	3,958	3,934
	OLFLM-070	9,156	9,207	5,439	5,433

Voltage (V)	Current (A)	
	50W	70W
120	0.42	0.58
208	0.24	0.34
240	0.21	0.29
277	0.18	0.25
347	0.14	0.20
480	0.10	0.15



Floodlight Series (Medium)

ORDERING INFORMATION

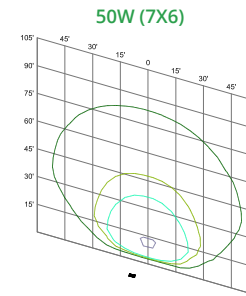
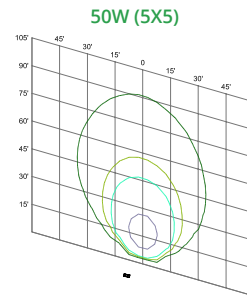
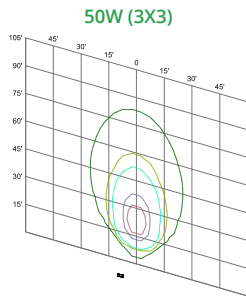
EXAMPLE: OLFLM-050-UNVL-50-3X3-TR-BZ-BP-UV

SERIES	WATTAGE	VOLTAGE	COLOR TEMP	DISTRIBUTION	MOUNT	FINISH	CONTROL / OPTIONS
OLFLM = Optec LED Floodlight Medium	050 = 50W 070 = 70W	UNVL = 120-277V UNVH = 347V-480V	30 = 3000K 35 = 3500K 40 = 4000K 50 = 5000K	3 X 3 = Spot 5 X 5 = Flood 7 X 6 = Horizontal Flood	AK = Adjustable Knuckle ¹ TR = Trunnion TA = Tenon Adapter	BZ = Dark Bronze WH = White NA = Natural Aluminum BL = Black CC = Custom Color	BP = Button Photocell ² UV = Upper Visor ³ LV = Lower Visor ³ PL = Polycarbonate Lens WG = Wireguard

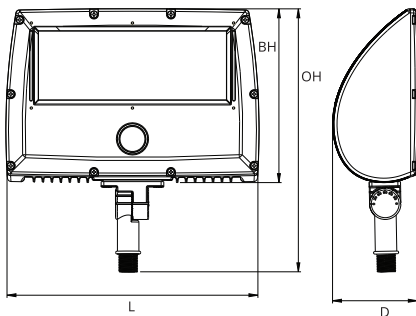
¹ AK = ½" NPT Adjustable Knuckle
² Photocell Default = Fail in "ON" Mode (unless otherwise specified).
³ Upper Visor and Lower Visor can be specified together.

PHOTOMETRIC PERFORMANCE

Isofootcandle plots = OLFLM 50W model in 5000K CCT @ 15' setback. Distances are in units of mounting height.



DIMENSIONS, WEIGHTS & MOUNTING



Wattage	50W	70W
L = Length (inches / mm)	10.75 / 280	10.75 / 280
D = Depth (inches / mm)	3.73 / 94.7	3.73 / 94.7
BH = Body Height (inches / mm)	7.64 / 194.1	7.64 / 194.1
OH = Overall Height (inches / mm)	11.57 / 293.8	11.57 / 293.8
Weight (lbs / kg)	10.36 / 4.7	11.24 / 5.1

Effective Projected Area (EPA) in ft ²	
Configuration	
Wattage	
50	1.340
70	1.340

