

Floodlight Series (Small)

The OLFLS Series Floodlight is a stylish aerodynamic luminaire designed to complement the Optec LED Lighting family of architectural outdoor products. Excellent optical performance in multiple distributions is achieved via a COB LED array and a precision-engineered reflector. LED life is assured through efficient thermal coupling and dissipation via its durable, pressure die-cast, low-copper alloy, aluminum housing. Engineered to last, all gaskets are anti-UV, anti-aging with no harmful out-gassing. The OLFLS floodlight comes standard with a 1/2" NPT adjustable knuckle mount, 0-10V dimming and 10kV surge suppression. Alternate mounting selections include trunnion bracket and tenon adapter. Each luminaire is also available with a number of options including multiple color temperatures and finishes, photocell, occupancy sensor, wireguard, and polycarbonate lens. All standard finishes are electrostatically applied and are available with an optional anodized base finish for use in natatorium or marine environments. The OLFLS floodlight is backed by Optec LED Lighting's 10-year warranty.



FEATURES

- Color Temperatures: 4000K and 5000K
- CRI: 70
- Lumen Maintenance: L70=50,000 at 25 °C
- Operating Temperature Range: -40 °C to 40 °C
- Durable All Aluminum Pressure Die Cast Housing
- Long Life Durable Powder Coat Finish (Custom colors are available upon request.)
- IP65 Rated (wet listed)
- Mounting: 1/2" NPT adjustable knuckle standard. Optional trunnion or tenon adapter available.

ELECTRICAL SPECIFICATIONS

- Two Universal Voltage Driver Options: 120-277V and 347-480V
- Power Factor > 0.90
- THD < 0.85
- Control Options: 0-10V Dimming Standard (Photocell Optional)

TESTS & CERTIFICATIONS

- ETL (to UL1598 standards)
- RoHS Compliant
- Design Lights Consortium (Premium)



WARRANTY

- 10-Year Warranty (Parts or Replacement)

PERFORMANCE SPECIFICATIONS

Distribution	Model / Wattage	Lumens		Candlepower (CBCP)	
		4000K	5000K	4000K	5000K
3 x 3	OLFLS-020	2,154	2,198	11,486	11,416
	OLFLS-030	3,214	3,280	17,143	17,039
5 x 5	OLFLS-020	2,029	2,070	3,256	3,322
	OLFLS-030	3,043	3,105	4,883	4,983
7 x 6	OLFLS-020	2,629	2,659	1,371	1,346
	OLFLS-030	3,691	3,762	1,966	1,929

Voltage (V)	Current (A)	
	20W	30W
120	0.17	0.25
208	0.10	0.14
240	0.08	0.13
277	0.07	0.11
347	0.06	0.09
480	0.04	0.06



Floodlight Series (Small)

ORDERING INFORMATION

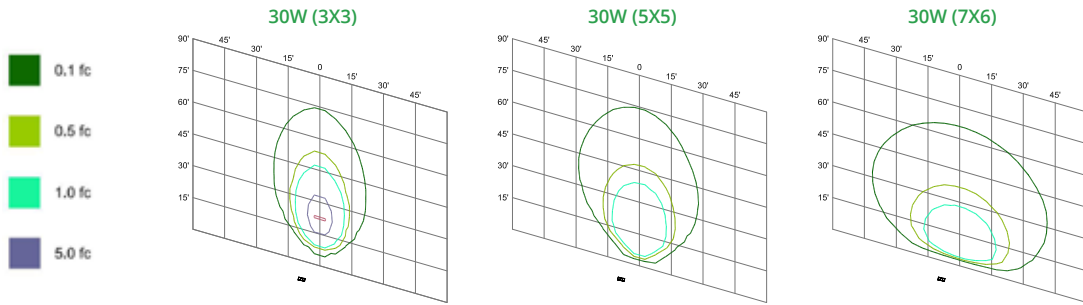
EXAMPLE: OLFLS-020-UNVL-50-3X3-TR-BP-UV

SERIES	WATTAGE	VOLTAGE	COLOR TEMP	DISTRIBUTION	MOUNT	FINISH	CONTROL / OPTIONS
OLFLS = Optec LED Floodlight Small	020 = 20W 030 = 30W	UNVL = 120-277V UNVH = 347V-480V	30 = 3000K 35 = 3500K 40 = 4000K 50 = 5000K	3 X 3 = Spot 5 X 5 = Flood 7 X 6 = Horizontal Flood	AK = Adjustable Knuckle ¹ TR = Trunnion TA = Tenon Adapter	BZ = Dark Bronze WH = White NA = Natural Aluminum BL = Black CC = Custom Color	BP = Button Photocell ² UV = Upper Visor ³ LV = Lower Visor ³ PL = Polycarbonate Lens WG = Wireguard

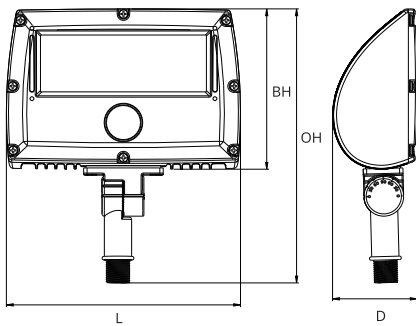
¹ AK = 1/2" NPT Adjustable Knuckle
² Photocell Default = Fail in "ON" Mode (unless otherwise specified).
³ Upper Visor and Lower Visor can be specified together.

PHOTOMETRIC PERFORMANCE

Isofootcandle plots = OLFLS 20W model in 5000K CCT @ 15' setback. Distances are in units of mounting height.



DIMENSIONS, WEIGHTS & MOUNTING



Wattage	20W	30W
L = Length (inches / mm)	8.11 / 206.0	8.11 / 206.0
D = Depth (inches / mm)	2.93 / 74.4	2.93 / 74.4
BH = Body Height (inches / mm)	5.56 / 141.1	5.56 / 141.1
OH = Overall Height (inches / mm)	9.49 / 241.1	9.49 / 241.1
Weight (lbs / kg)	5.51 / 2.5	5.73 / 2.6

Effective Projected Area (EPA) in ft ²	
Configuration	■
Wattage	
20	0.870
30	0.870

