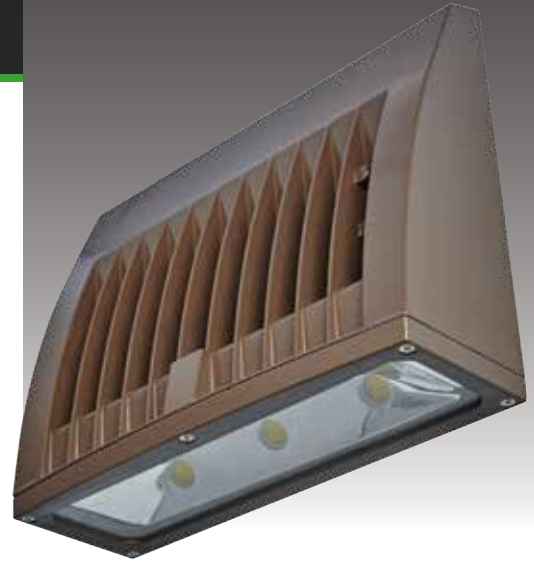


LED Wallpack Series 3 / Large

The OLWP3L series is a stylish wallpack that fits within today's accepted design form factors. Excellent optical performance is achieved with Luminus Brand COB LED arrays and PC metalized specular reflectors. Luminus arrays are ideal light sources due to low thermal resistance, excellent heat transfer and uniform spreading. Use of 95% efficient tempered glass lenses minimizes light loss. LED life is assured through efficient thermal coupling and dissipation via a durable, pressure die cast, low-copper alloy, aluminum housing. Engineered to last, all gaskets are anti-UV, anti-aging with no harmful out-gassing. Luminaries are available with a number of options including alternate CCT choices, color finishes, photocells and brackets.



FEATURES

- Luminus Brand COB Arrays
- Color Temperature: 4000K & 5000K (other CCT's are available upon request)
- CRI: 70
- Lumen Maintenance: L70 = 50,000 hours (at 25° C)
- Full Cutoff (meets IDA criteria)
- Operating Temperature: -40C (-40F) to 40C (104F)
- Durable All Aluminum Pressure Die Cast Housing
- Long Life Durable Powder Coat Finish (custom/other RAL colors are available upon request)
- IP65 Rated (wet listed)
- Mounting: Wall Surface (adjustable yoke bracket or pole mount arm optional)

ELECTRICAL SPECIFICATIONS

- Power Input 90-305V (347V & 480V optional)
- Drive Currents: 50W = 1200 mA
80W = 1875 mA
- Efficacy: 50W = 108.36 lm/W
80W = 108.82 lm/W
- Power Factor: > 95%
- THD: < 15%
- Surge Protection: 10 kV (optional)
- Control Options: 0-10V Dimming, Button Photocell

TEST & CERTIFICATIONS

- ETL (UL 1598)
- CSA (C22.2 No.250.0)
- RoHS Compliant
- Design Lights Consortium (Standard)



WARRANTY

- 5 - Year warranty (Parts or Replacement)

PERFORMANCE SPECIFICATIONS

Lens Type	Model / Wattage	Lumens	
		4000K	5000K
Type 4	OLWP3L - 050	5,149	5,149
	OLWP3L - 080	8,568	8,568

Drive Current	Wattage	Drive Current	Wattage
1200 mA	50	1875mA	80
Current (A) @ 120V	0.42	Current (A) @ 120V	0.67
Current (A) @ 208V	0.24	Current (A) @ 208V	0.38
Current (A) @ 240V	0.21	Current (A) @ 240V	0.33
Current (A) @ 277V	0.18	Current (A) @ 277V	0.29
Current (A) @ 347V	0.14	Current (A) @ 347V	0.23
Current (A) @ 480V	0.10	Current (A) @ 480V	0.17



LED Wallpack Series 3 / Large

ORDERING INFORMATION

EXAMPLE: OLWP3L-050-UNV-50-4-SM-BZ-BP-SP

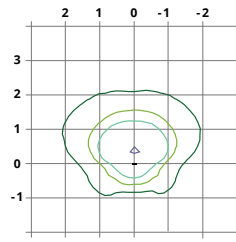
OLWP3L							
SERIES	WATTAGE	VOLTAGE	COLOR TEMPERATURE	DISTRIBUTION	MOUNTING	FINISH	CONTROL / OPTIONS
Optec LED Wallpack (3 Generation Large)	050 = 50W (1200 mA) 080 = 80W (1875 mA)	UNV = 90-305V 347 = 347V 480 = 480V	40 = 4000K 50 = 5000K	4 = Type 4	SM = Surface Mount AB = Adjustable Bracket / Wall SF = Slip Fitter / Adjustable RA = Rigid Arm / Pole Mount	WH = White BZ = DK Bronze BL = Black SL = Silver CC = Custom Color	DM = 0-10V Dim BP = Button Photocell 120-277V SP = 10 kV Surge Protector

PHOTOMETRIC PERFORMANCE

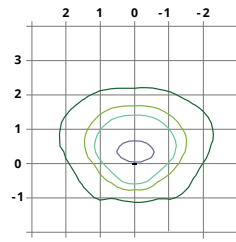
Isofootcandle plots = OLWP3L 50W and 80W models in 5000K CCT @ 25' mounting height. Distances are in units of mounting height.

LEGEND

- 0.1 fc
- 0.5 fc
- 1.0 fc
- 5.0 fc



50W (Type 4)

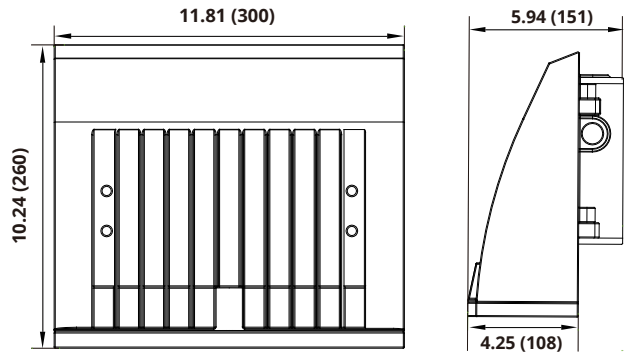


80W (Type 4)

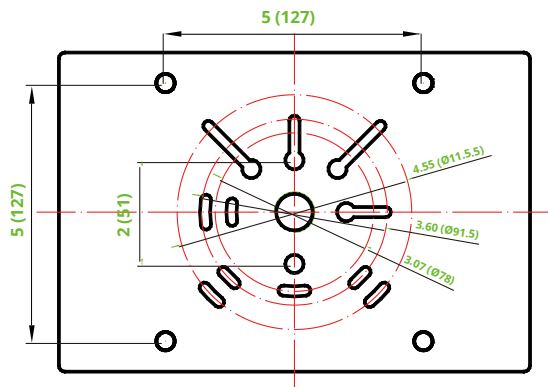
Published luminaire photometric testing performed to IESNA-79-08 standards

DIMENSIONS, WEIGHTS & MOUNTING

Wattage	50W	80W
Length (in" / mm)	11.81" / 300	11.81" / 300
Height (in" / mm)	12.04" / 260	12.04" / 260
Depth (in" / mm)	5.94" / 151	5.94" / 151
Weight (lbs / kg)	10.2 / 4.6	11.0 / 5



measurements: Inch (mm)



Wall Installation Plate

measurements: Inch (mm)

MOUNTING OPTIONS



Slip Fitter



Rigid Arm



Adjustable Bracket