

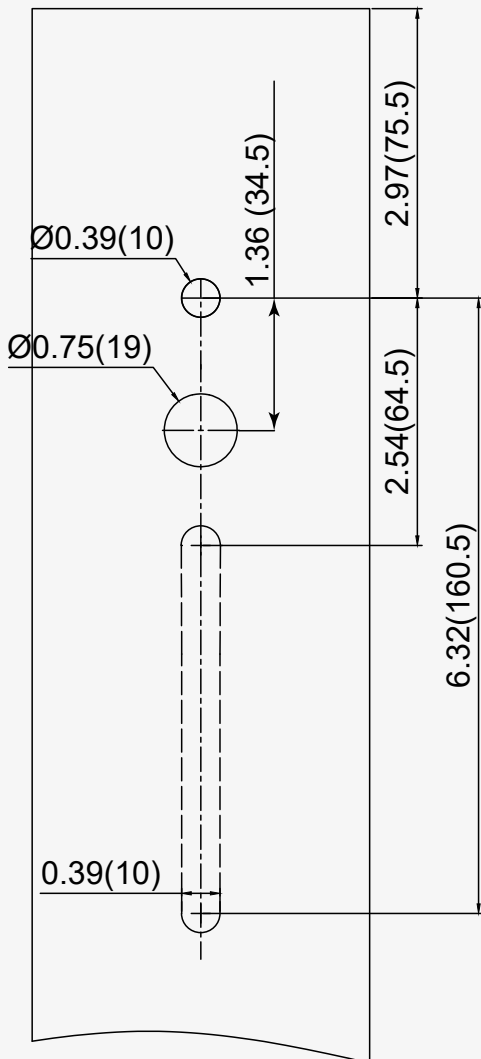
Universal Mounting Bracket for Square Poles

Area Series (Small and Large)

The OLA1 Area Series Universal Mounting Bracket for Square Poles is a single-piece pressure-die-cast aluminum bracket for square pole-mount applications. The Drill Pattern is the same for all sizes of the OLA1 Area Series. Its durable powdercoat finish is available in multiple colors. The OLA1 Area Series Universal Mounting Bracket for Square Poles ships complete with fastener kit.



DRILL PATTERN (NOT TO SCALE)



ISOMETRIC, SECTION AND PLAN VIEWS (NOT TO SCALE)

